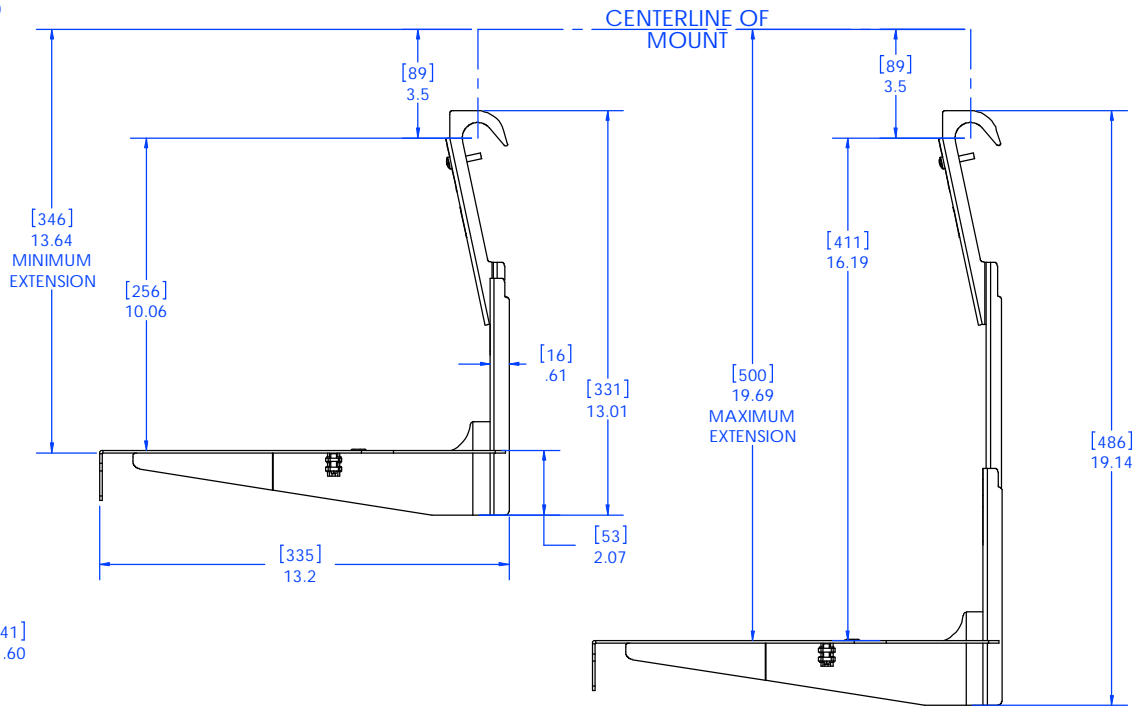
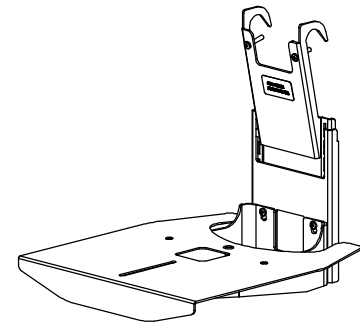
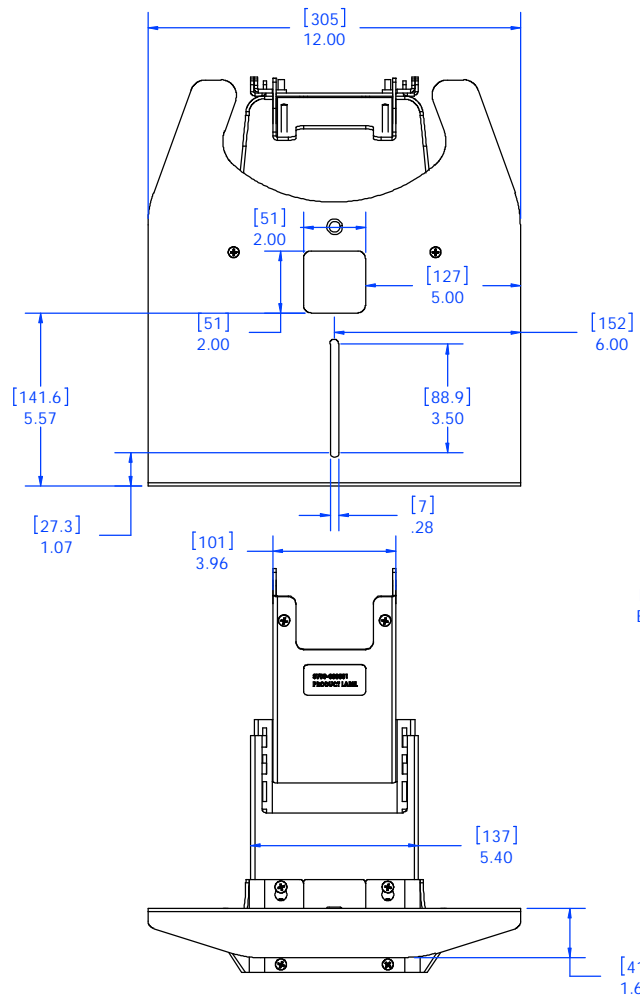


USABLE SHELF DEPTH  
11.2" - SCREEN DEPTH  
WEIGHT CAPACITY 10 LBS.



CHIEF MANUFACTURING INC.  
MOUNT ORDER NUMBER IS FVS150  
PHONE: 1-800-582-6480

THE INFORMATION AND DESIGNS CONTAINED  
IN THIS DRAWING ARE CONFIDENTIAL AND THE  
PROPRIETARY PROPERTY OF CHIEF MFG., INC.  
NEITHER THIS DESIGN NOR ANY INFORMATION  
CONTAINED IN THIS DRAWING MAY BE  
REPRODUCED OR DISCLOSED TO OTHERS  
WITHOUT THE EXPRESS WRITTEN CONSENT OF  
CHIEF MFG., INC.

CHIEF MANUFACTURING, INC.  
8401 EAGLE CREEK PKWY STE. 700, SAVAGE, MN 55378  
1.800.582.6480 • FAX 1.877.894.8918

FVS150