



Description

The machine uses intelligent control technology, takes intelligent terminal as application concept, and adopts original guide rail design. One-key operation can complete start-up, lifting/flipping up LCD screen and other actions. It has anti-theft and dust-proof designs, looks elegant and is space-saving and convenient in use. It can be widely used in conferences, offices, hotels, teaching studios and other places, and satisfy the needs of system development and office automation. It is an ideal assistant for your working and teaching.

Feature

- * The integration of the ultra-thin HD touch screen and the lift, no exposed wires and screws, no back boards; the lifting touch screen is neat and beautiful.
- * Integrated with the microphone, which can be automatically straightened; when the machine is turned off, the pole can be automatically straightened to avoid damage.
- * The machine adopts an all-aluminum structure, high-quality aluminum material and CNC engraving processing treatment; the overall display frame and the cabinet adopt aluminum alloy, making the overall machine exquisite, light, beautiful.
- * The surface of the machine is anodized and looks bright.
- * The panel is space-saving with 3mm in thickness and 70mm in width only.
- * The transmission structure is specially treated to minimize the noise; it adopts high-quality stretch-resistant belts, high-precision sliding guide rail and linear bearings, and AC gear motor as the driving power; the central control protocol, with strong compatibility, can be compatible with all computer controllers. The screen is powered on when turning up, and is powered off when turning down, which is environment friendly.
- * 17.3-inch ultra-thin LCD touch screen, resolution: 1920*1080P, clear and bright display, adjustable back light design, can prevent fatigue caused by too bright or too dark screen.
- * Support HDMI and VGA two-channel signal input. When there is only one signal input, the screen will automatically recognize the signal. When two signals are input at the same time, it can be manually switched through the panel buttons. When no signal input, the screen will automatically enter power saving mode.
- * This machine can be centrally controlled by the central control software and the controller. One key can make all the machines in the room go up or down.
- * The built-in loop-through output power socket can supply power to the terminal and reduce the wiring of the terminal power socket, and the project wiring is more tidy and beautiful.
- * The desktop panel has a USB interface, and files can be browsed or uploaded by connecting a U disk.



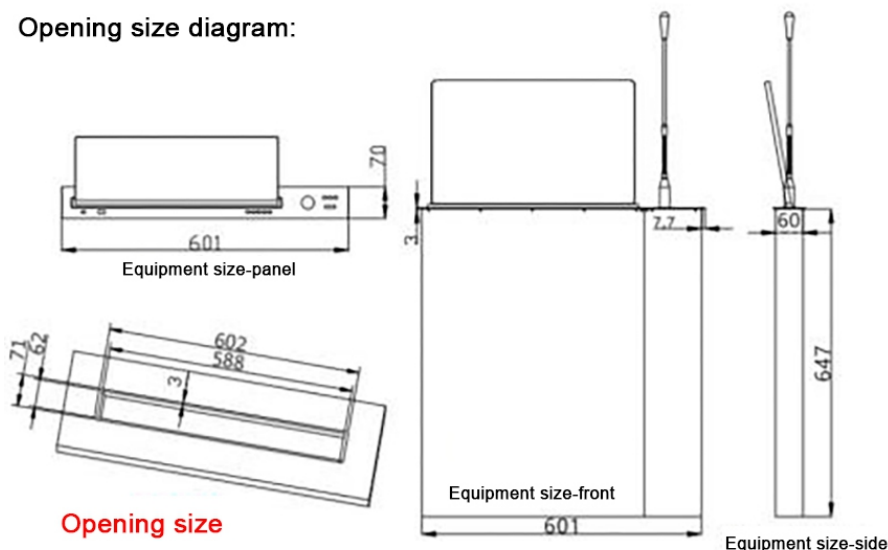
Specification

Model	TS-F173MT3
Touch screen	Touch control
Lifting time	28S
Elevation angle	0-30°, completely accord with ergonomic principle, without blocking the view and face
Product size	601*70*650mm
Panel size	601*70*3mm
Cabinet size	584.2*59*647mm
Desktop opening size	586.2*61mm (recommended to open hole according to the actual product)
Panel sinking size	602*71*3mm (L*W*T) (recommended to open hole according to the actual product)
Environment conditions	-20°C~50°C, relative humidity≤70%
Screen size	17.3"
Screen aspect ratio	16:9
Resolution	1920*1080
Video port	1 VGA, 1 HDMI
Control port	1 group of 232/485 input and output ports: control screen lifting, support hand-in-hand connection; 1 USB port for turning on/off the machine, 1 USB port for data transmission
Microphone port	2 groups of 6-pin aviation interface, which can realize the "hand in hand" series connection of multiple units
Microphone pole	409mm
Back light type	WLED,15K hours, with LED driver
Contrast	1200: 1
Brightness	300cd/m²
Viewing angle	89/89/89/89(Typ.)
Screen thickness	10mm
Power supply	AC 220V 50-60/HZ
Power consumption	25W
Total weight	13kg

Microphone specification

Type	Cardioid directional electret
Frequency response	80Hz-16KHz
Input impedance	1KΩ
Sensitivity	-46dBV/Pa
Maximum SPL	125dB (A)
SNR	>80dB
THD	<0.1%
Power consumption	3W

Opening size diagram:



- Opening size, it is recommended to open hole according to the actual product:
 - Desktop opening size: 588*62mm (L * W)
 - Panel sinking size: 602*71*3mm (L*W*T)
- Install on the table, the suggested position is as follows:
 - 400mm between lifts
 - 350mm from the edge of the table
 The distance can be adjusted appropriately according to the actual needs of the site



Motorized Paperless Interactive Monitor Lift TS-F173MT3

Embedded software: paperless conference terminal client software V2.0

